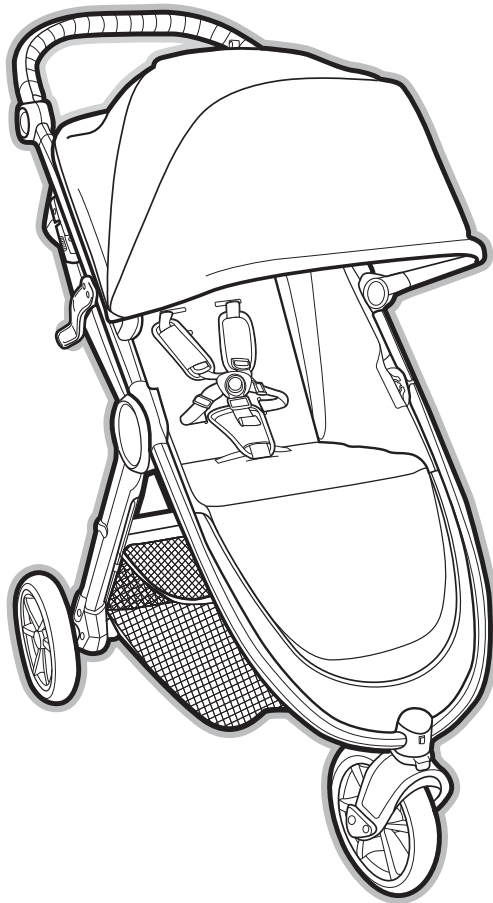


baby jogger®

city mini® GT2

Stroller
Cochecito
Poussette



©2023 Baby Jogger NWL0001531729A 5/23

ASSEMBLY INSTRUCTIONS
INSTRUCCIONES DEL ENSAMBLAJE
DIRECTIVES DE MONTAGE

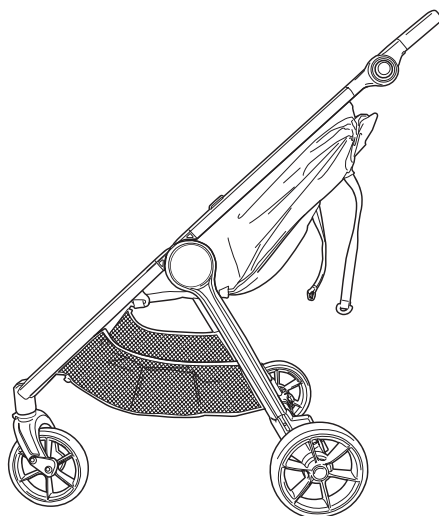
babyjogger.com
babyjogger.ca

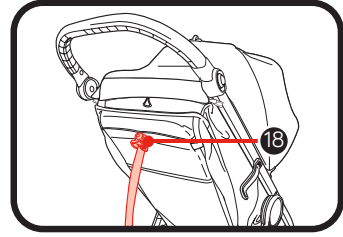
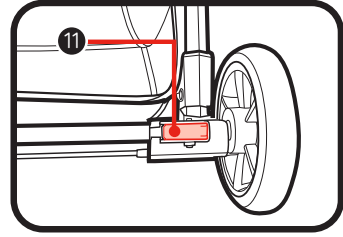
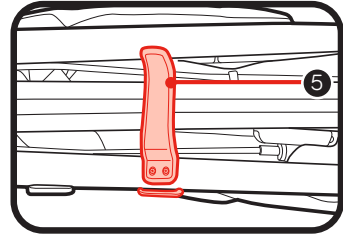
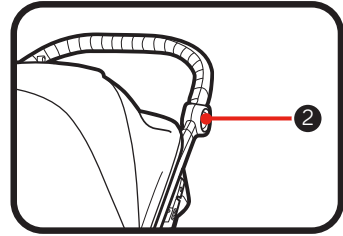
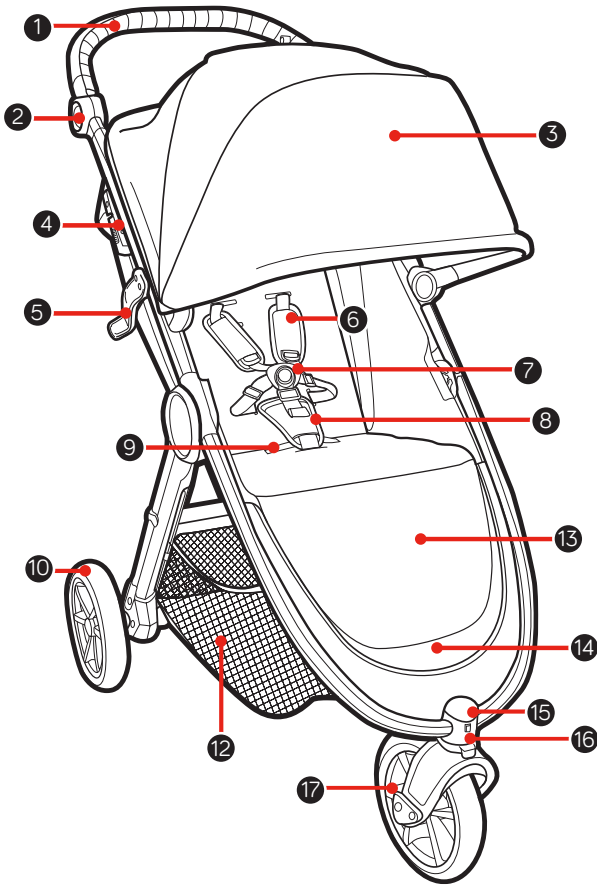
Stroller Use Positions

Posiciones de uso del cochecito

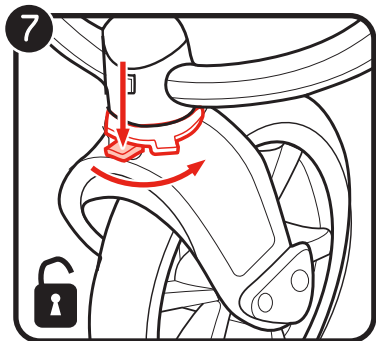
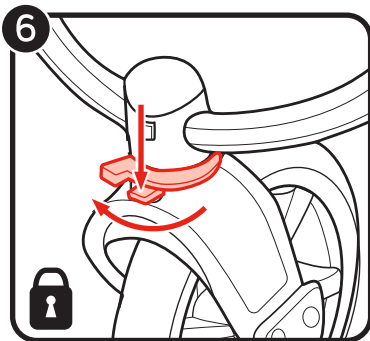
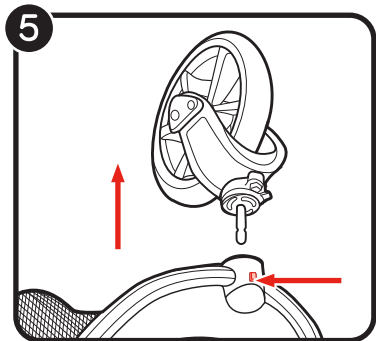
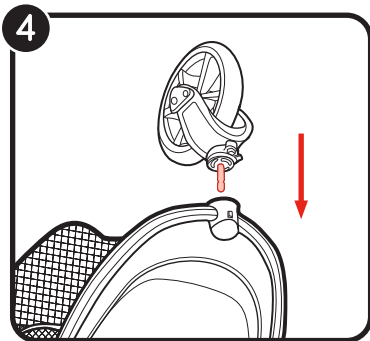
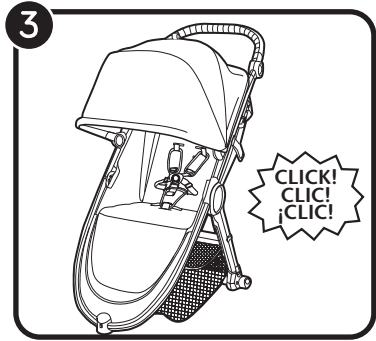
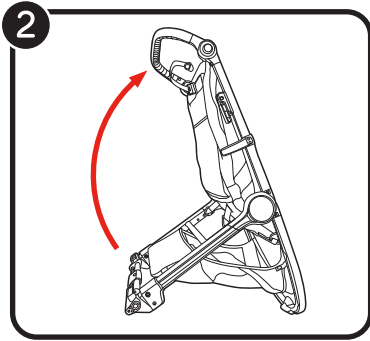
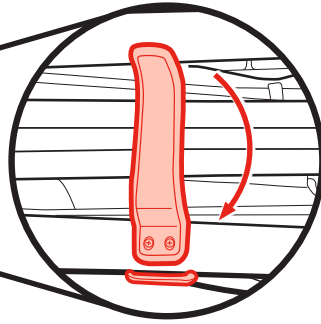
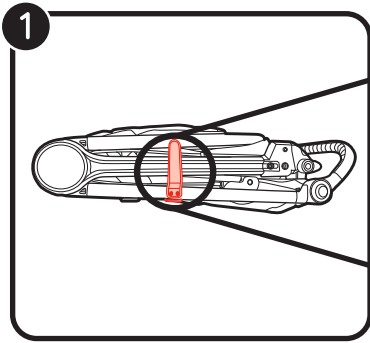
Position d'utilisation de la poussette

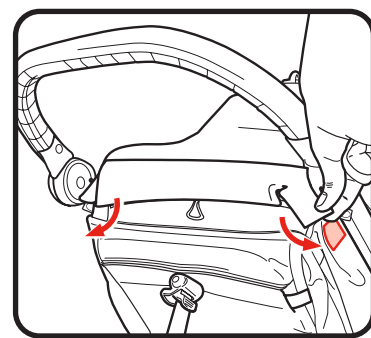
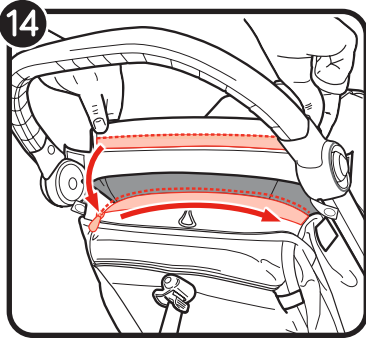
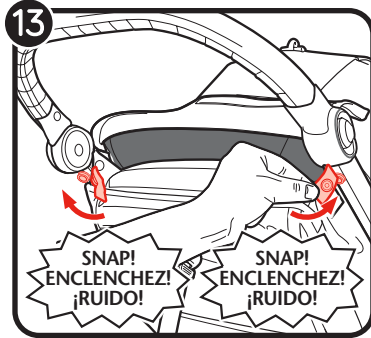
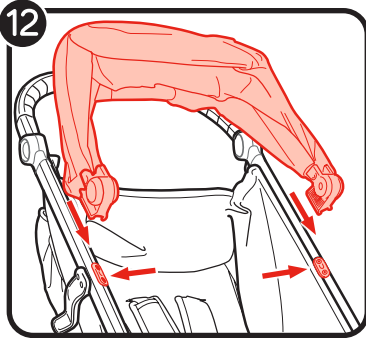
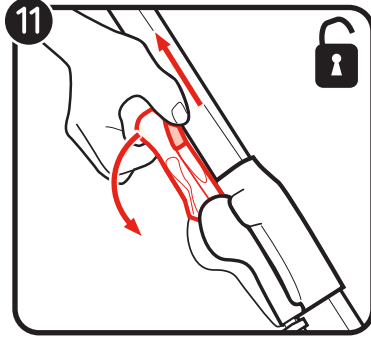
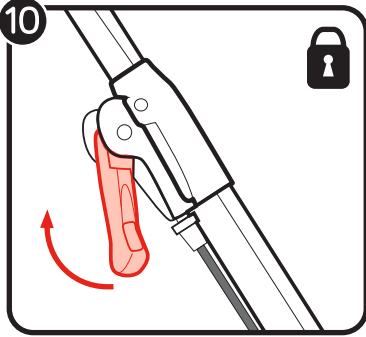
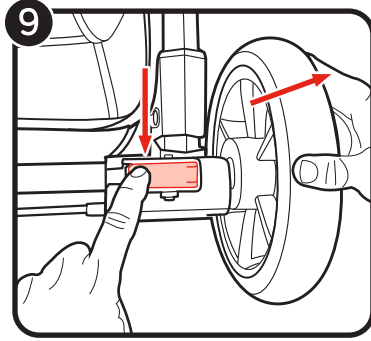
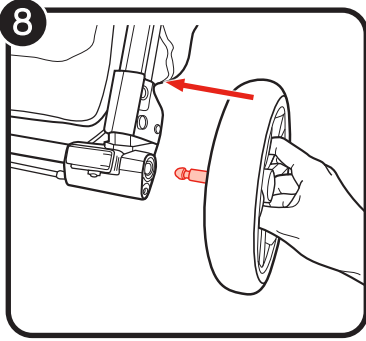
Accessories sold separately
Los accesorios se venden por separado
Les accessoires sont vendus séparément.

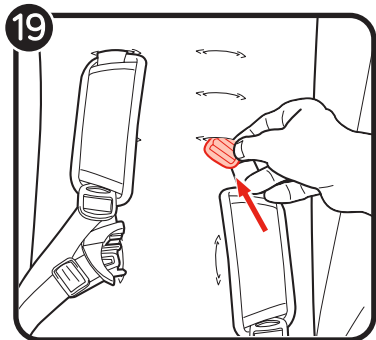
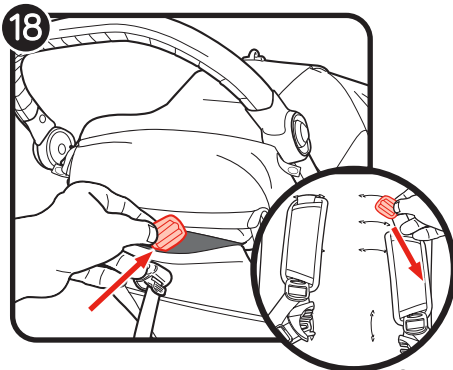
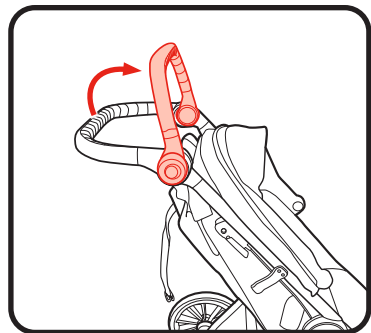
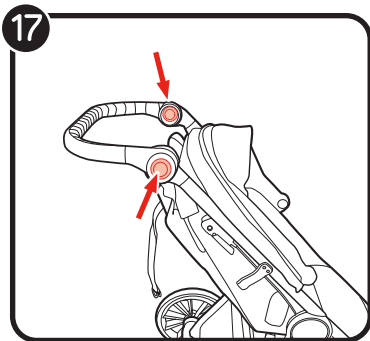
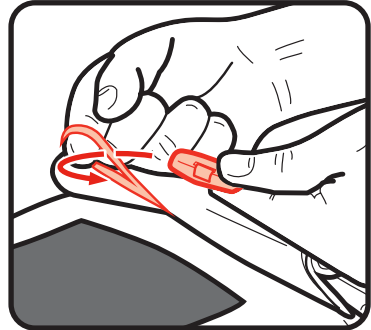
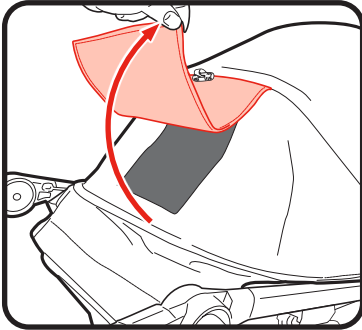
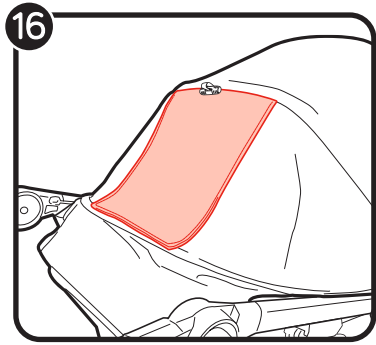
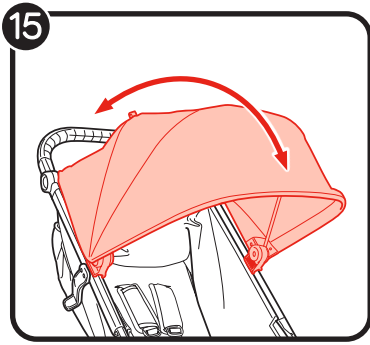


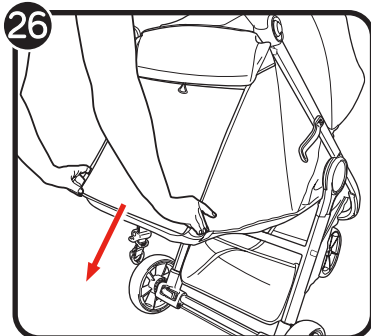
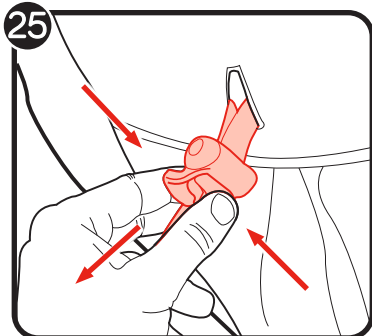
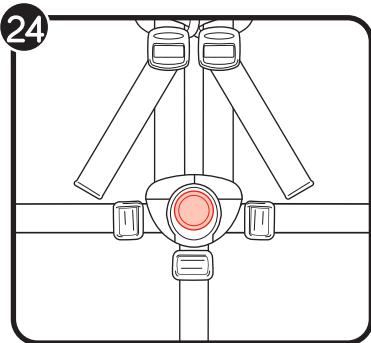
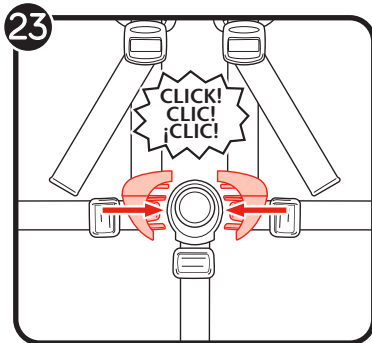
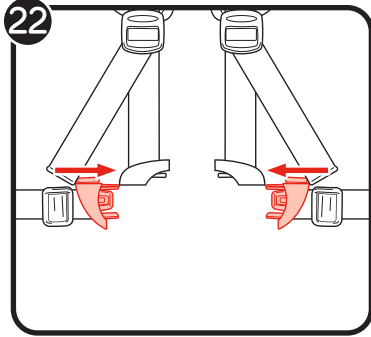
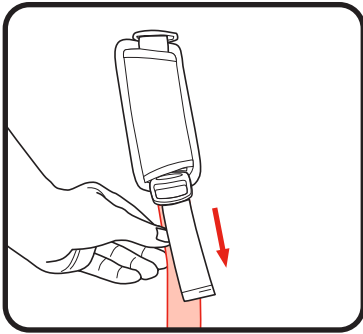
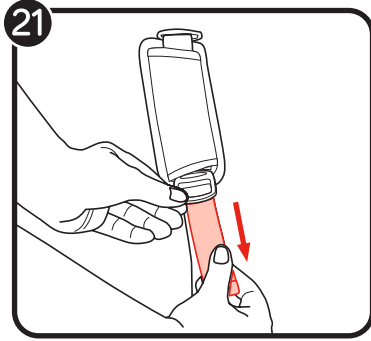
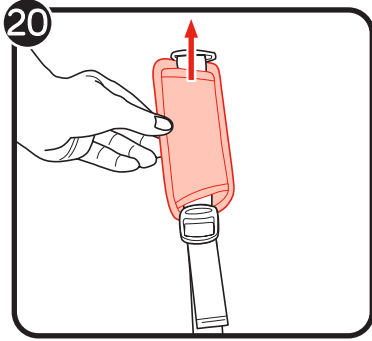


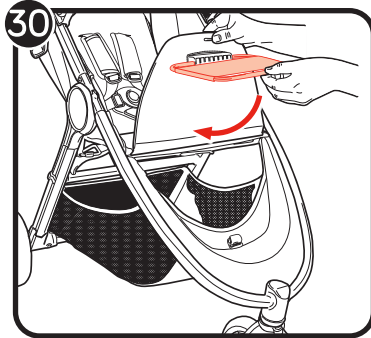
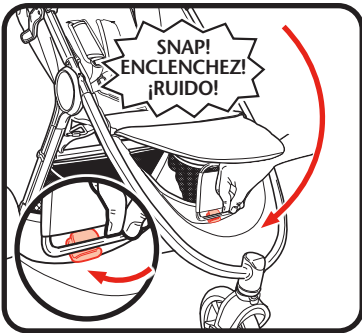
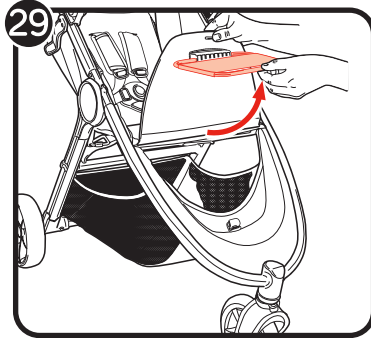
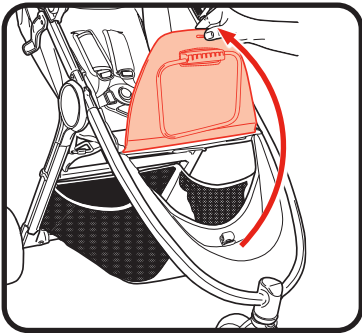
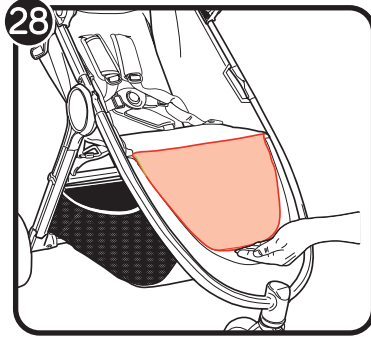
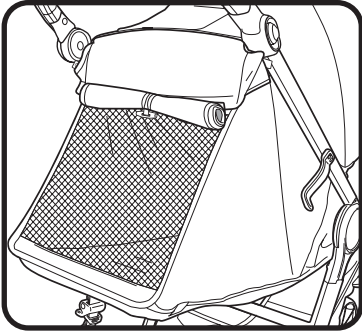
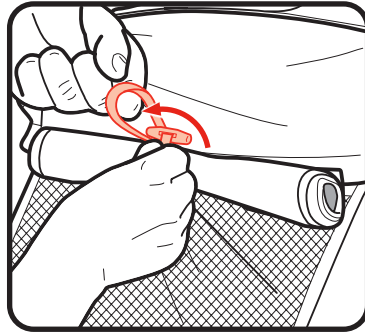
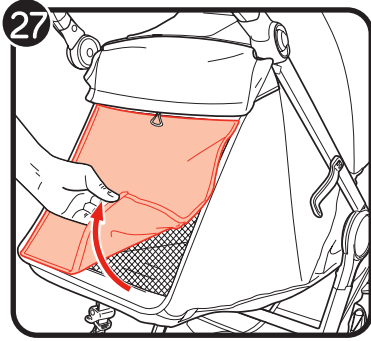
- | | |
|-------------------------|-------------------------------|
| 1 Handlebar | 10 Rear Wheel |
| 2 Handlebar Fold Button | 11 Rear Wheel Release Button |
| 3 Canopy | 12 Storage Basket |
| 4 Parking Brake | 13 Leg Support |
| 5 Auto-Lock | 14 Footwell |
| 6 Harness Pads | 15 Front Wheel Release Button |
| 7 Harness Buckle | 16 Swivel/Lock |
| 8 Crotch Strap Pad | 17 Front Wheel |
| 9 Fold Strap | 18 Seat Recline Strap |

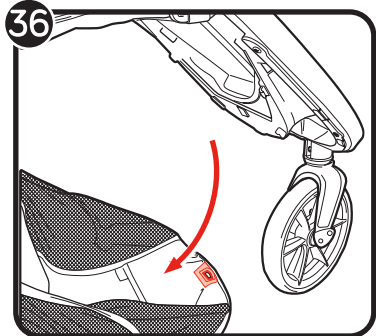
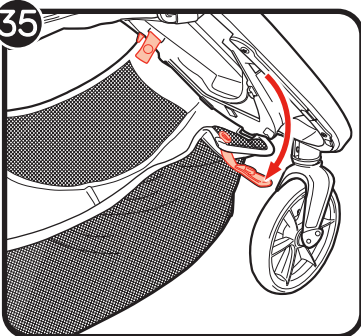
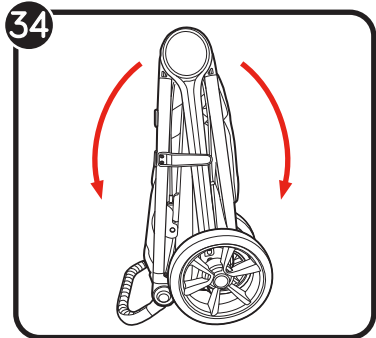
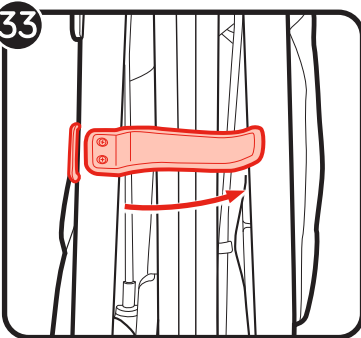
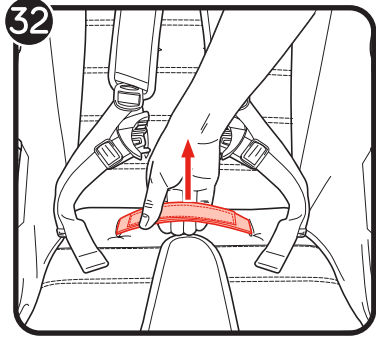
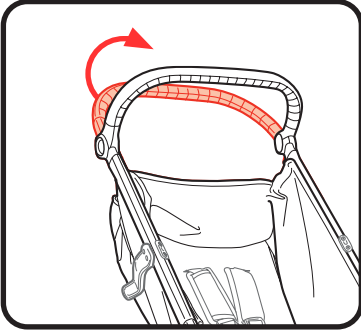
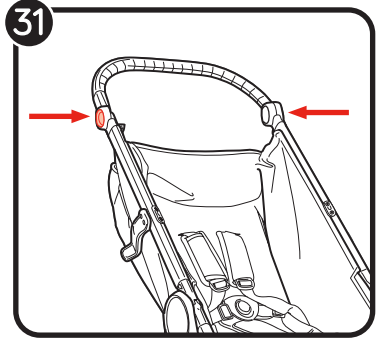
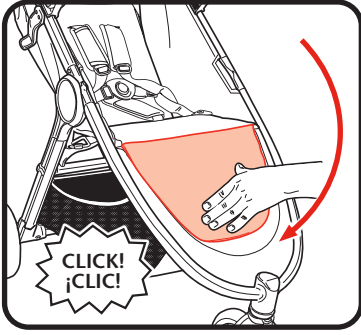


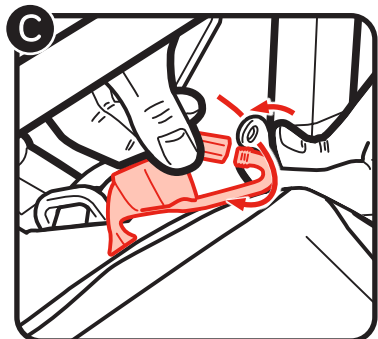
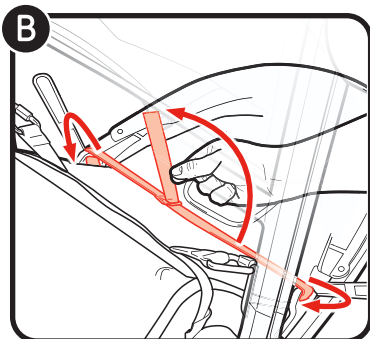
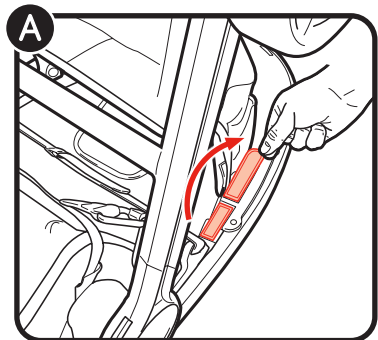
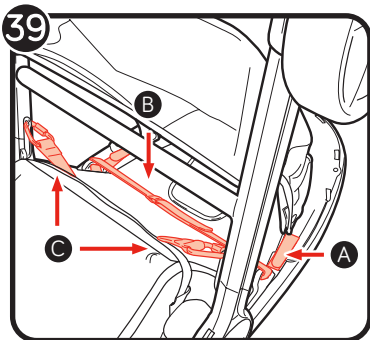
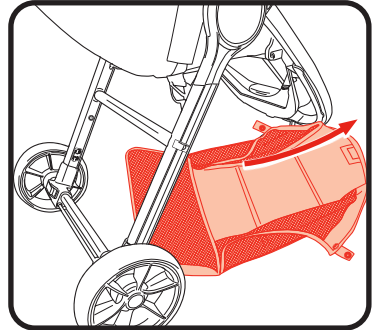
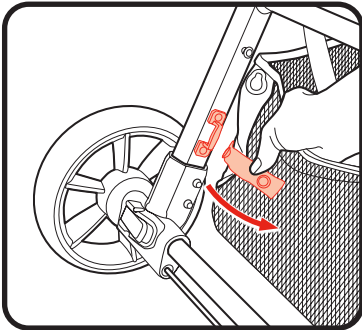
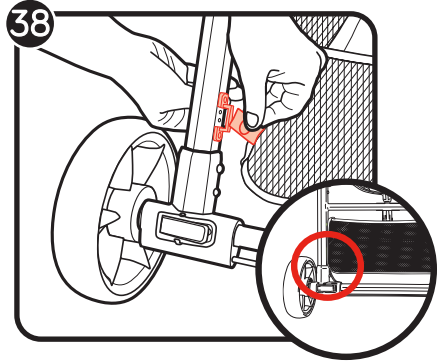
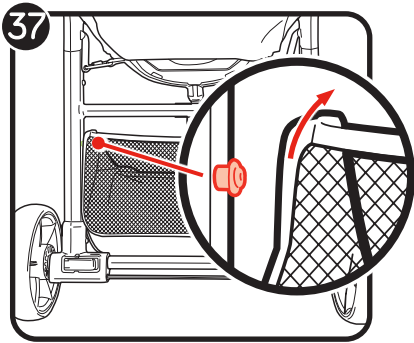


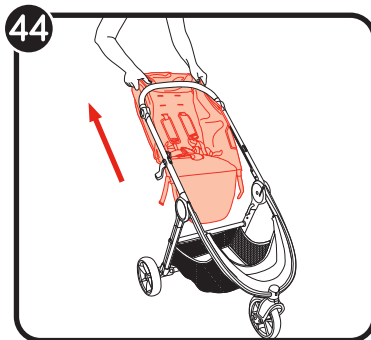
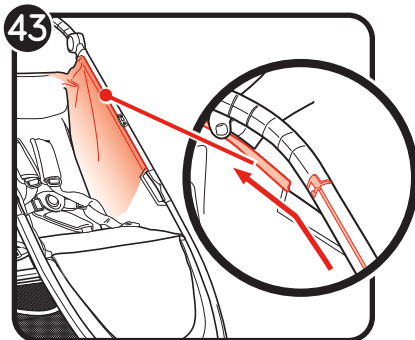
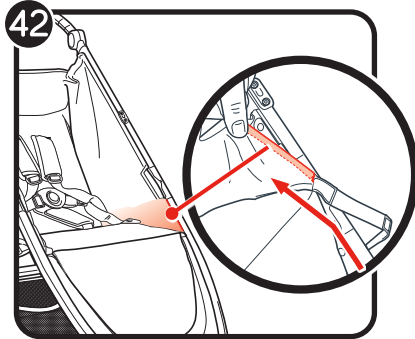
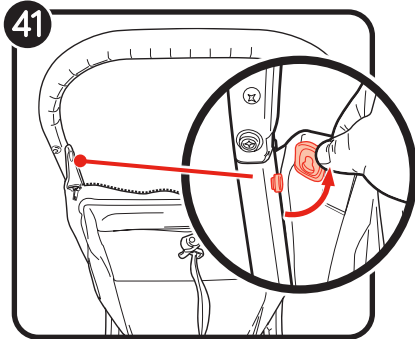
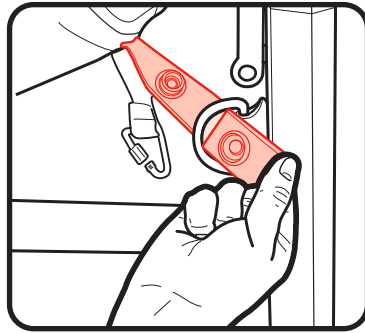
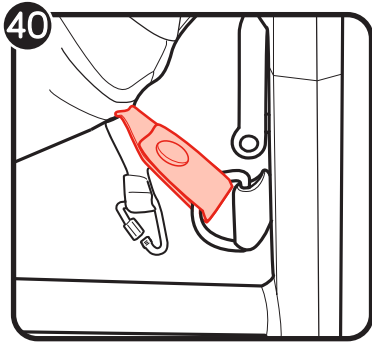












WARNING

IMPORTANT - Keep these instructions for future reference.

Read these instructions carefully before use. Your child's safety may be affected if you do not follow these instructions.

- This stroller is suitable for one child up to 65lb (29.5 kb) in weight and 40 in (101.6 cm) in height.
- Total weight load recommended for this stroller is 77 lb (35 kg); 65 lb (29.5 kg) in the seat, 2 lb (1 kg) in the seat back pocket, and 10 lb (4.5 kg) in the basket. Excessive weight may cause a hazardous unstable condition to exist.
- This stroller is not suitable for running, jogging, skating or inline skating.
- Never leave your child unattended.
- Avoid serious injury from falling or sliding out. Always properly adjust and fasten seat belt or infant car seat harness.
- To prevent injury, remove child tray or belly bar accessory when folding or unfolding the stroller.
- Do not let your child play with this product.
- Parcels or accessory items, or both, placed on the unit may cause the unit to become unstable.
- Any load attached to the handle affects the stability of the stroller. Do not hang bags from the handle.
- Always tightly secure the hook & loop fasteners between the canopy and seat back when the canopy is installed.
- Ensure that all the locking devices are engaged before use.
- Lock the brakes before loading and unloading your child and whenever the stroller is not moving.
- **Always** keep fingers and children away from moving parts when folding, unfolding, or adjusting the stroller to prevent finger/body part entrapment or pinching.
- Stroller is not meant to be used for transporting children up or down stairs or escalators. Damage resulting to stroller will not be covered under warranty.
- This stroller does not replace a cot or a bed. Should your child need to sleep, then it should be placed in a suitable pram body, cot, or bed.
- Accessories which are not approved by Baby Jogger shall not be used.
- Check that the car seat attachment devices are correctly engaged before use.
- For new born babies we recommend always to use the most reclined seat position.
- Only use replacement parts which are supplied or approved by Baby Jogger.
- Discontinue using your stroller should it become damaged or broken.

FRAME

- 1 Unpack the stroller frame from the box and set the wheels aside.
Unlock the stroller by pulling the storage lock lever.
- 2 Unfold the stroller by pulling the handlebar away from the frame. The stroller will lock into place and you will hear a click.
- 3 Place the stroller in the upright position.


 **WARNING:** Ensure that all the locking devices are engaged before use.

FRONT WHEELS

- 4 Installation
 - Lay stroller on its back so the handlebar is resting on the floor.
 - Attach the front wheel by sliding it into the front wheel mount until it clicks. Gently pull on the front wheel to make sure it is properly attached.
- 5 Removal
 - While pressing the front wheel release button, gently slide the front wheel out of the front wheel mount.

SWIVEL FEATURE

- 6 Push the swivel button down and rotate to the left to lock the front wheel assembly in a fixed position for long distance strolling.
- 7 Push the swivel button down and rotate to the right to allow the front wheel assembly to swivel.

 **WARNING:** When loading and unloading child, lock the front wheel in a fixed position. Although the front wheel of your stroller locks, it is not intended for jogging or exercise purposes.

REAR WHEELS


- 8 Installation
 - Align the rear wheel axle with the wheel mount on the stroller frame and insert it into the wheel mount until it locks into place. You will hear a click.
 - Gently pull on the rear wheel to make sure it is properly attached.

9 Removal

- While pressing down on the wheel release button, gently slide the rear wheel out of the wheel mount.

BRAKE

- 10 To lock the brakes: gently pull the brake lever into upright position until it clicks into place.
- 11 To Release the brakes: Pinch the gray tabs and pull the lever towards you. Push the brake lever down until it is parallel with the frame.

 **WARNING:** Lock the brakes before loading and unloading your child and whenever the stroller is not moving.

CANOPY

- 12 Attach the canopy to the frame by sliding the canopy onto the mounting bracket. To remove, slide canopy off of mounts.

NOTE: When using a Baby Jogger, Graco or Britax car seat, the canopy can be attached. For all other car seats, canopy must be removed.

- 13 Snap the two snaps to the stroller frame.
- 14 Zip the back of the seat to the canopy top. Attach the 2 fastening strips on the side of the canopy.
- 15 Pull forward to open canopy and push backwards to close canopy.
- 16 To use the canopy window, roll the shade up towards the top and secure with the elastic and button.

HANDLE

- 17 To change the handle to one of 6 use positions, press the handle release buttons on both sides and rotate up or down to the new position.

ADJUSTING SAFETY HARNESS

- 18 From the back of the seat, unfasten and open the pocket to locate the plastic square stopper. Turn stopper and pass through the openings in the PE board and seat fabric.

- 19 Reinsert stopper at seat opening closest to child's shoulders. Pass back through seat fabric and PE board. Tug on strap to ensure stopper is locked. Repeat on both sides.

 **WARNING:** Avoid serious injury from falling or sliding out. Always properly adjust and fasten safety harness.

 **WARNING:** Always use the crotch strap in combination with the shoulder straps and waist belt.


- 20 Slide the harness pads up to access plastic guide on strap.
- 21 Hold the plastic guide and pull strap to tighten or loosen.

USING SAFETY HARNESS

- 22 Insert side strap buckle into harness buckle on both sides.
- 23 Insert connected harness and side strap buckles into the sides of the crotch buckle.
- 24 Press button on crotch buckle to release.

RECLINE THE SEAT

- 25 Pinch the clamp behind the seat, and slide it down to desired recline.
- 26 Pull seat down on both sides to match the clamp position. Reverse steps to return to the upright position.

 **WARNING:** When making adjustments to the stroller seat, make sure child's head, arms, and legs are clear of moving seat parts and stroller frame.

- 27 For extra ventilation, roll up the seat back flap and secure with elastic and button.

LEG SUPPORT

- 28 To use the leg support, lift the front of the seat pad.
- 29 Rotate the support arm out and lower the seat pad. Lock the support arm.
- 30 To lower leg support, reverse the steps.

FOLDING

- Remove your child from the seat.
- Disengage front wheel swivel locks.
- Remove all attachments and all items from basket.

 **WARNING:** To prevent injury, remove child tray or belly bar accessory when folding or unfolding the stroller.

- 31 Press buttons on both sides of frame.

Rotate handle up.

- 32 Pull up on the "Pull to Fold" folding handle and let the frame collapse.
- 33 Make sure the auto-lock lever clicks into place.
- 34 Place stroller upright in standing position.

BASKET REMOVAL

- 35 From the front of the stroller, unsnap the 2 snaps and pull the straps out of the foot well.
- 36 Lift basket off the hook.
- 37 From the back, lift the top of the basket off the tab on both sides of the frame.
- 38 Unsnap the strap from the D ring on both sides of the frame.

REMOVING THE SEAT FABRIC

- 39 Flip the stroller over to expose the seat bottom.
 - A Unfasten the 2 fastening strips and pull them out of the stroller frame.
 - B Unfasten the fastening strip and pull them out of the sides of the stroller frame.
 - C Unscrew both carabiner hooks and remove them from the stroller frame.
 - 40 From beneath the stroller, unsnap tether strap on the side.
 - 41 Flip the seat back over on its wheels. Unsnap both upper snaps from the stroller frame.
 - 42 Starting from the bottom, slide the seat pad out from the stroller frame on both sides.
 - 43 From the top, slide the seat pad out of the frame on both sides.
 - 44 Remove seat fabric.
- Reverse the steps to reattach the seat pad to the frame.

CARE AND MAINTENANCE

To preserve the longevity of your stroller, it is important to perform simple, regular maintenance. From time to time, make sure that the joints and folding areas are still in good condition. If you hear any squeaking or feel tension, you can take your stroller to an authorized dealer for added lubrication. All repairs should only be carried out by an authorized dealer.

DO NOT use alcohol based disinfectants to clean this product.

CLEANING

Fabric

- Refer to your care tag on the seat pad for washing instructions
-  • Wipe clean using a damp cloth.
-  • Hand wash in cold water with mild soap.
-  • Machine wash separate in cold water, delicate cycle.
-  • Do not bleach.
-  • Do not tumble dry.
-  • Do not iron.
-  • Do not dry clean
- Fabric should be attached to frame to dry.
- Be sure to remove the metal frame and PE boards from the seat before washing.
- **DO NOT** use solvents, caustic or abrasive cleaning materials.

Plastic/Metal Parts

- Wipe clean using a mild soap and warm water.
- The wheels will need to be dried completely with a soft towel or cloth.
- **DO NOT** remove, dismantle or alter any part of the seat folding mechanism or brakes.

Leatherette Care

- Wipe clean using a mild soap and warm water.

STORING

- Sunshine can fade seat fabric and dry out tires, so storing your stroller indoors will prolong its good looks.
- **DO NOT** store outside.
- Ensure that the stroller is dry before storing for prolonged periods.
- Always store the stroller in a dry environment.
- Store the stroller in a safe place when not in use (i.e. where children cannot play with it).
- **DO NOT** place heavy objects on top of the stroller.
- **DO NOT** store the stroller near a direct heat source such as a radiator or fire.

Baby Jogger's Limited Lifetime Warranty:

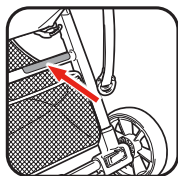
Baby Jogger warrants that the frame is free of manufacturer defects for the lifetime of the product. Manufacturer's defects include but are not limited to the breaking of welds and frame tube damage. Textile or soft side materials and all other components shall be warranted for one year from the date of purchase (except for tubes and tires). Proof of purchase is required to make a warranty claim and the warranty is only extended to the original purchaser.

THIS WARRANTY DOES NOT COVER:

- Normal wear and tear
- Corrosion or rust
- Incorrect assembly, or the installation of third party parts or accessories not compatible with the original design
- Accidental or intentional damage, abuse or neglect, or use on stairs or escalators.
- Commercial use
- Improper storage/care of the unit

This warranty specifically excludes claims for indirect, incidental, or consequential damages. The implied warranties of merchantability and fitness for a particular purpose is according to the specific warranty period for this model unit at time of purchase. Some states do not allow the exclusion or limitation of incidental or consequential damages, so the above limitations or exclusions may not apply to you. This warranty gives you specific legal rights, and you may also have other rights which vary from state to state. To know what your legal rights are in your state, consult your local or state consumer affairs office or your State's Attorney General.

If your stroller was purchased outside of the United States, please contact the distributor in the country nearest you. Their contact information can be found on our website at <http://www.babyjogger.com>. Claims for warranty outside of the country in which the product was purchased may incur shipping charges.



NOTE: When contacting Baby Jogger distributor regarding your stroller, please have your stroller's serial number ready. It can be found on the crossbar above the basket.

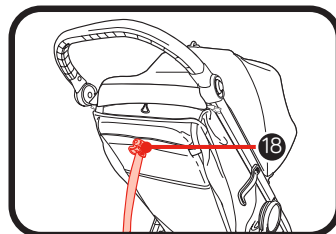
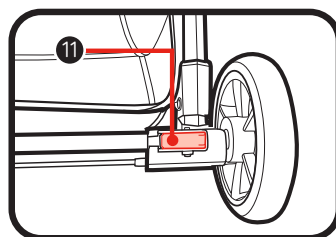
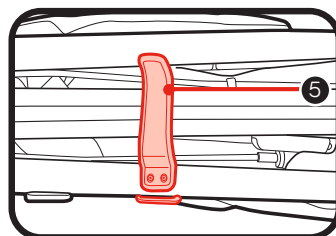
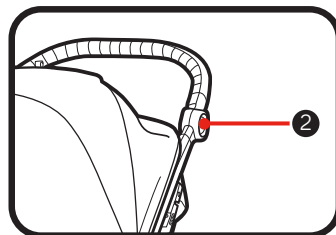
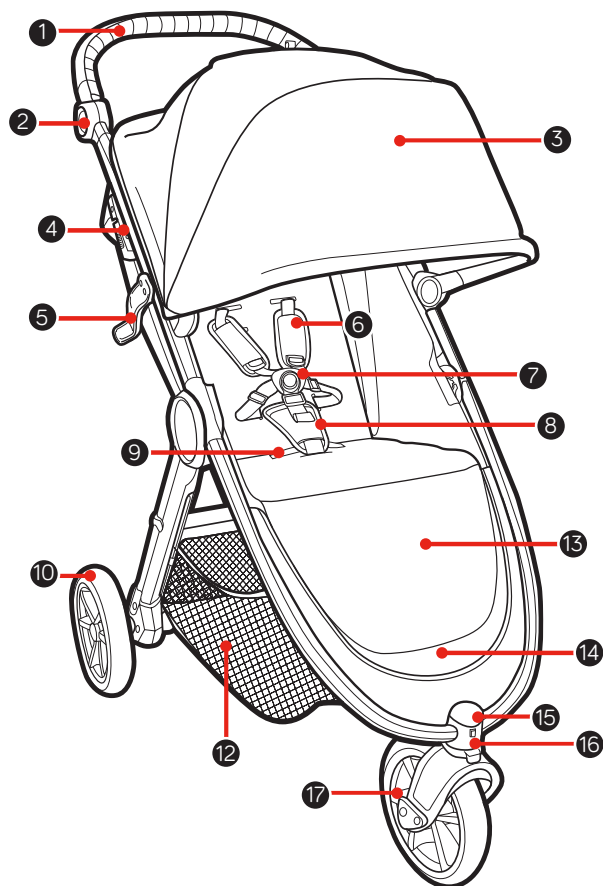
Customer Care Contact Information:

Call: 1-800-241-1848 8:30am - 5:30pm EST, Mon - Fri.

Mail: Baby Jogger, LLC
4110 Premier Drive
High Point, NC 27265

www.babyjogger.com / www.babyjogger.ca

PLEASE DO NOT CONTACT THE PLACE OF PURCHASE FOR PARTS OR WARRANTY ISSUES



- | | |
|--|--|
| 1 Manija | 11 Botón de liberación de la rueda trasera |
| 2 Botón de plegue del manillar | 12 Canasta de almacenamiento |
| 3 Capota | 13 Soporte para las piernas |
| 4 Freno | 14 Hueco de pie |
| 5 Palanca de traba automática | 15 Botón de liberación de la rueda delantera |
| 6 Almohadillas del arnés | 16 Giro/Traba |
| 7 Hebilla del arnés | 17 Ruedas delanteras |
| 8 Almohadilla de la correa para la entrepierna | 18 Correa de reclinación del asiento |
| 9 Correa de plegue | |
| 10 Rueda trasera | |

ADVERTENCIA


IMPORTANTE – Guarde estas instrucciones para referencia futura.

Lea estas instrucciones detenidamente antes del uso. La seguridad de su niño podría verse afectada si no cumple estas instrucciones.

- Este cochecito es adecuado para un niño de hasta 65 libras (29.5 kg) de peso y la altura máxima es 40 pulgadas (101.6 cm).
- Peso total de carga recomendado para este cochecito es 77 libras (35 kg): 65 libras (29.5 kg) en el asiento, 2 libras (1 kg) en el bolsillo del respaldo del asiento y 10 libras (4.5 kg) en la canasta. El peso excesivo podría causar que exista una condición inestable y peligrosa.
- Este cochecito no es adecuado para utilizarse mientras corre, hace jogging ni para ningún tipo de patinaje.
- Nunca deje a un niño sin atender.
- Evite serias lesiones causadas por caída o deslizamiento. Siempre ajuste y sujete correctamente el cinturón de seguridad o el arnés del asiento de automóvil para bebé.
- Para prevenir lesiones, retire la bandeja para niños o el accesorio de la barra del estómago cuando pliega y despliega el cochecito.
- No deje que su niño juegue con este producto.
- Paquetes o accesorios, o ambos, colocados sobre la unidad pueden hacer que la unidad sea inestable.
- Cualquier carga sujeta a la manija afecta la estabilidad del cochecito. No cuelgue bolsas de la manija.
- Asegure siempre con seguridad las cintas de nudo y gancho entre la capota y el respaldo del asiento cuando está instalada la capota.
- Asegúrese de que todos los dispositivos de seguridad estén activados antes de usarlo.
- Trabe los frenos antes de cargar y descargar a su niño y cuando el cochecito no esté en movimiento.
- Mantenga **siempre** los dedos y los niños alejados de las piezas en movimiento cuando pliegue, despliegue o ajuste el cochecito para prevenir que los dedos o partes del cuerpo queden atrapados o pellizcados.
- El cochecito no debe usarse para transportar niños hacia arriba o abajo en escaleras o escaleras mecánicas. Daños resultantes al cochecito no estarán cubiertos bajo la garantía.
- Este cochecito no reemplaza una cama o cuna. En caso de que su niño necesite dormir, debe ponerlo en una cama, cuna o cuerpo del cochecito apto.
- Los accesorios que no están aprobados por Baby Jogger no deben usarse.
- Comprobar que los dispositivos de sujeción del asiento de automóvil para bebé están correctamente engranados antes del uso.
- Para bebés recién nacidos, recomendamos que use siempre la posición de asiento más reclinada.
- Use solamente piezas de repuesto suministradas o aprobadas por Baby Jogger.
- Deje de usar su cochecito si resulta dañado o roto.

ARMAZÓN

- 1 Desempaque el armazón del cochecito de la caja y deje a un lado las ruedas. Destrahe el cochecito tirando la palanca de la traba de almacenamiento.
- 2 Despliegue el cochecito tirando el manillar lejos del armazón. El cochecito se trabará en su lugar y escuchará un sonido.
- 3 Ponga el cochecito en la posición vertical.


 **ADVERTENCIA:** Asegúrese de que todos los dispositivos de bloqueo estén activados antes de usarlo.

RUEDA DELANTERA

- 4 Instalación
 - Ponga el cochecito sobre el respaldo para que el manillar esté en el piso.
 - Sujete la rueda delantera deslizando en el montante de la rueda delantera hasta que se trabe. Tire suavemente de la rueda delantera para asegurarse de que esté correctamente sujeta.
- 5 Extracción
 - Mientras oprime el botón de liberación de la rueda delantera, deslice suavemente la rueda delantera fuera del montante de la rueda delantera.

CARACTERÍSTICA GIRATORIA

- 6 Oprima el botón de la traba giratoria hacia abajo y deslice la traba giratoria hacia la izquierda para trabar el ensamblaje de la rueda delantera en una posición fija para un viaje a larga distancia.
- 7 Oprima el botón de la traba giratoria hacia abajo y deslice la traba giratoria hacia la derecha para permitir que gire el ensamblaje de la rueda delantera.


 **ADVERTENCIA:** Al cargar y descargar a un niño, trabe la rueda delantera en una posición fija. A pesar de que la rueda delantera de su cochecito se traba, no debe usarse para trotar o hacer ejercicios.

RUEDAS TRASERAS

- 8 Instalación
 - Alinee el eje de la rueda trasera con el montante de la rueda en el armazón del cochecito e insértelo en el montante de la rueda hasta que se trabe en su lugar. Escuchará un sonido.
 - Tire suavemente de la rueda trasera para asegurarse de que esté correctamente sujeta.
- 9 Extracción
 - Mientras oprime hacia abajo el botón de liberación de la rueda, deslice suavemente la rueda trasera fuera del montante de la rueda.

FRENO

- 10 Para trabar los frenos: tire suavemente la palanca del freno hacia la posición vertical hasta que se trabe en su lugar.
- 11 Para liberar los frenos: Pellizque las lengüetas grises y tire la palanca hacia usted. Empuje la palanca del freno hacia abajo hasta que esté paralela con el armazón.

 **ADVERTENCIA:** Trabe los frenos antes de cargar y descargar a su niño y cuando quiera el cochecito no esté en movimiento.

CAPOTA

- 12 Sujete la capota al armazón deslizando la capota hacia el soporte de montaje. Para extraerla, deslice la capota por los soportes de montaje.

NOTA: Cuando utilice un asiento de automóvil Baby Jogger, Graco o Britax, la capota tiene que estar colocada. Para el resto de asientos de automóvil, hay que quitar la capota.

- 13 Abroche los dos broches al armazón del cochecito.
- 14 Cierre la cremallera de la parte trasera del asiento a la parte superior de la capota. Sujete las 2 tiras de sujeción en el costado de la capota.
- 15 Tire hacia adelante para abrir la capota y empuje hacia atrás para cerrarla.


- 16 Para utilizar la ventana de la capota, enrolle la pantalla hacia la parte superior y asegúrela con el elástico y el botón.


MANIJA

- 17 Para cambiar la manija a una de las 6 posiciones de uso, oprima los botones de liberación de la manija de ambos costados y gírela hacia arriba o hacia abajo hasta alcanzar la nueva posición.

AJUSTAR EL ARNÉS DE SEGURIDAD

- 18 Desde la parte trasera del asiento, desenganche y abra el bolsillo para ubicar el tapón cuadrado de plástico. Gire el tope y páselo por las aberturas en la tabla de polietileno y tela del asiento.
- 19 Vuelva a colocar el tope en la abertura del asiento más cercana a los hombros del niño. Páselo por la tela del asiento y la tabla de polietileno. Tire de la correa para asegurarse de que el tope esté trabado. Repita el procedimiento en ambos costados.

 **ADVERTENCIA:** Evite serias lesiones causadas por caídas o resbalones. Ajuste y sujete siempre correctamente el arnés de seguridad.

 **ADVERTENCIA:** Use siempre la correa de la entrepierna en combinación con las correas de los hombros y el cinturón de la cintura.

- 20 Deslice las almohadillas del arnés hacia arriba para lograr el acceso a la guía de plástico en la correa.


- 21 Agarre la guía de plástico y tire la correa para tensionarla o aflojarla.

USAR EL ARNÉS DE SEGURIDAD

- 22 Inserte la hebilla de la correa lateral en la hebilla del arnés en ambos costados.
- 23 Inserte el arnés conectado y las hebillas de las correas laterales en los costados de la hebilla de la entrepierna.
- 24 Oprima el botón en la hebilla de la entrepierna para liberarlo.

RECLINAR EL ASIENTO

- 25 Pellizque la abrazadera detrás del asiento y deslícela hacia abajo para lograr la inclinación deseada.
- 26 Tire el asiento hacia abajo en ambos costados para igualar la posición de la abrazadera. Invierta los pasos para volver a la posición vertical.

 **ADVERTENCIA:** Cuando realiza ajustes al asiento del cochecito, asegúrese de que la cabeza, brazos y piernas del niño estén lejos de piezas del asiento que se muevan y el armazón del cochecito.


- 27 Para ventilación adicional, enrolle la solapa del respaldo del asiento y sujétela con el elástico y el botón.

SOPORTE PARA LAS PIERNAS

- 28 Para utilizar el soporte para las piernas, levante la parte delantera de la almohadilla del asiento.
- 29 Gire el brazo de soporte hacia afuera y baje la almohadilla del asiento. Trabe el brazo de soporte.
- 30 Para bajar el soporte para las piernas, invierta los pasos.

PLIEGUE

- Saque al niño del asiento.
- Destrabe las ruedas delanteras.
- Saque todos los accesorios y artículos de la canasta.

 **ADVERTENCIA:** Para prevenir las lesiones, retire la bandeja para niños o el accesorio de la barra del estómago al plegar o desplegar el cochecito.

- 31 Oprima los botones en ambos costados del armazón.
Gire la manija hacia arriba.
- 32 Tire hacia arriba la manija de pliegue "Pull to Fold" (tirar para plegar) y deje que el armazón colapse.
- 33 Asegúrese de que la palanca de la traba automática se trabe en su lugar.
- 34 Coloque el cochecito en la posición vertical.

RETIRAR LA CANASTA

- 35 Desde la parte delantera del cochecito, desabroche los 2 broches y tire las correas para retirarlas del hueco para los pies.
- 36 Levante la canasta para retirarla del gancho.
- 37 Desde la parte trasera, levante la parte superior de la canasta para retirarla de la lengüeta de ambos costados del armazón.
- 38 Retire la correa de la abrazadera en forma C de ambos costados del armazón.

SACAR LA TELA DEL ASIENTO

- 39 Dé vuelta al cochecito para dejar expuesto el fondo del asiento.
 - A Desenganche las 2 tiras de sujeción y tírelas para sacarlas del armazón del cochecito.
 - B Desenganche la tira de sujeción y tírela para sacarla de los costados del armazón del cochecito.
 - C Desatornille ambos ganchos de estilo mosquetón y sáquelos del armazón del cochecito.
- 40 Desde la parte inferior del cochecito, desabroche la correa de sujeción del costado.
- 41 Dé vuelta al asiento para que esté apoyado por las ruedas. Desabroche ambos broches superiores del armazón del cochecito.
- 42 Empezando desde la parte inferior, deslice la almohadilla del asiento para sacarla del armazón del cochecito en ambos costados.
- 43 Desde la parte superior, deslice la almohadilla del asiento para sacarla del armazón en ambos costados.
- 44 Saque la tela del asiento.

Invierta los pasos para volver a sujetar la almohadilla del asiento al armazón.








CUIDADO Y MANTENIMIENTO

Para preservar la longevidad de su cochecito, es importante realizar tareas periódicas simples de mantenimiento. De vez en cuando, asegúrese de que las uniones y lugares con pliegues todavía estén en buenas condiciones. Si escucha algún ruido o siente algo de tensión, puede llevar el cochecito a un taller autorizado para que le agreguen más lubricante. Todas las reparaciones solamente deben ser completadas por un concesionario autorizado.

NO utilice desinfectantes a base de alcohol para limpiar este producto.

LIMPIEZA

Tela:

- Consulte la etiqueta de cuidado para las instrucciones de lavado:
- 
 - Limpie con un trapo húmedo.
- 
 - Lave a mano en agua fría con jabón suave.
- 
 - Lave en la lavadora por separado con agua fría, en el ciclo delicado.
-  No use blanqueador.
-  No seque en la secadora.
-  No planche.
-  No limpie en seco.
- La tela debe sujetarse al armazón para secarse.
- Antes de lavarlo, asegúrese de retirar el armazón metálico y las tablas de polietileno del asiento.
- **NO** use solventes, productos cáusticos o materiales abrasivos para la limpieza.

Piezas de plástico/metal

- Limpie usando un jabón suave y agua tibia.
- Tendrá que secar las ruedas por completo con un paño o con una toalla suave.
- **NO** retire, desmonte ni modifique ninguna pieza de los frenos ni del mecanismo de plegado del asiento.

Cuidado del cuero sintético

- Limpie con un jabón suave y agua tibia.

ALMACENAMIENTO

- Los rayos del sol pueden desteñir la tela del asiento y reseca los neumáticos, por lo tanto, guardar el cochecito adentro prolongará su buen aspecto.
- **NO** lo guarde al aire libre.
- Asegúrese de que el cochecito esté seco antes de guardarlo por períodos prolongados.
- Guarde siempre el cochecito en un ambiente seco.
- Guarde el cochecito en un lugar seguro cuando no lo usa (por ej., donde los niños no pueden jugar con él).
- **NO** ponga objetos pesados encima del cochecito.
- **NO** guarde el cochecito cerca de fuentes de calor directas como un radiador o fuego.

Garantía limitada de por vida de Baby Jogger:

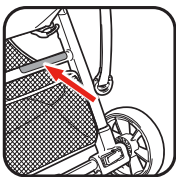
Baby Jogger garantiza que el armazón no tiene defectos de fabricación durante toda la vida del producto. Los defectos de fabricación incluyen pero no se limitan a la rotura de soldaduras y daños a los tubos del armazón. Los materiales textiles o blandos del costado y todos los otros componentes están garantizados por un año desde la fecha de compra (excepto los tubos y los neumáticos). Se requiere prueba de la compra para presentar una reclamación bajo la garantía y la garantía solamente se extiende al comprador original.

ESTA GARANTÍA NO CUBRE:

- Desgaste normal
- Corrosión o herrumbre
- Ensamblaje incorrecto o la instalación de piezas o accesorios de terceros que no sean compatibles con el diseño original
- Daño accidental o intencional, abuso o negligencia o uso en escaleras o escaleras mecánicas.
- Uso comercial
- Almacenamiento/cuidado inadecuado de la unidad

Esta garantía excluye específicamente reclamaciones por daños indirectos, incidentales o consecuentes. Las garantías implícitas de comerciabilidad y aptitud para un propósito particular se incluyen según el período de garantía específica de este modelo en el momento de la compra. Algunos estados no permiten la exclusión o limitación de daños incidentales o consecuentes, de manera que las limitaciones o exclusiones anteriores podrían no aplicarse a su caso. Esta garantía le brinda derechos legales específicos y podría tener otros derechos que varían de un estado a otro. Para conocer cuáles son sus derechos legales en su estado, consulte a la oficina local o del estado de asuntos al consumidor o al Fiscal General de su estado.

Si su cochecito fue comprado fuera de los Estados Unidos, por favor comuníquese con el distribuidor en el país más cercano. Se puede encontrar la información de contacto en nuestro sitio web en <http://www.babyjogger.com>. Las reclamaciones por garantía fuera del país en el que se compró el producto podrían incurrir cargos por envío.



NOTA: Cuando se ponga en contacto con su distribuidor de Baby Jogger en relación con su carrito, tenga a mano el número de serie de su carrito. Se encuentra en la barra cruzada por encima de la canasta.

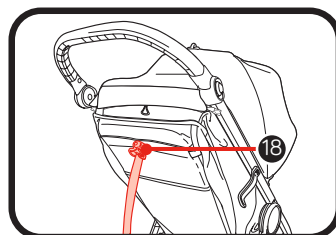
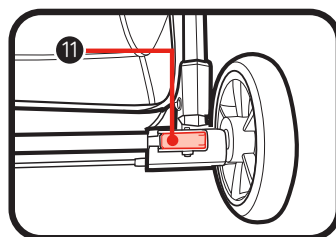
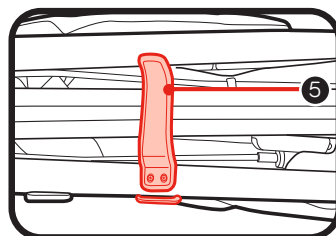
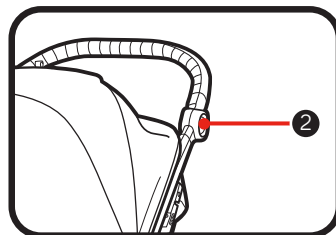
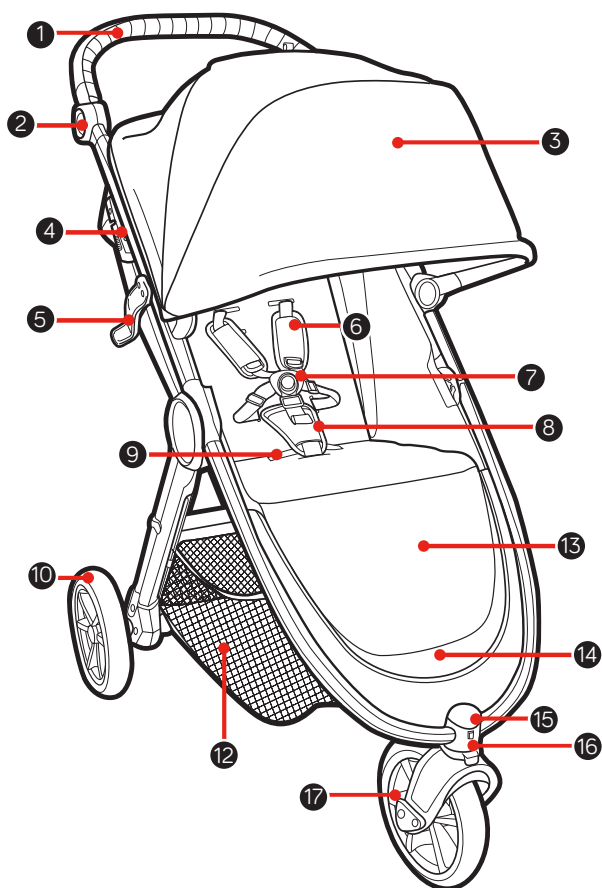
Información de contacto de atención al cliente:

Llame al: 1-800-241-1848 8:30am - 5:30pm EST, Mon - Fri.

Correo: Baby Jogger, LLC
4110 Premier Drive
High Point, NC 27265

www.babyjogger.com / www.babyjogger.ca

NO CONTACTE EL LUGAR DE COMPRA PARA PIEZAS NI CUESTIONES DE GARANTÍA



- | | |
|------------------------------------|---|
| 1 Poignée | 10 Roulette arrière |
| 2 Bouton de pliage de la poignée | 11 Bouton de dégagement de roulette arrière |
| 3 Baldaquin | 12 Porte-bagages |
| 4 Frein de stationnement | 13 Appuie-jambes |
| 5 Verrou de rangement | 14 Repose-pieds |
| 6 Coussins du harnais | 15 Bouton de déverrouillage de roulette avant |
| 7 Boucle du harnais | 16 Roulette pivotante/verrou |
| 8 Coussinet de courroie de fourche | 17 Roulette avant |
| 9 Courroie de pliage | 18 Courroie d'inclinaison du siège |

MISE EN GARDE

IMPORTANT - Conserver ce mode d'emploi pour consultation future.

Lire attentivement toutes ces directives avant utilisation. Ne pas respecter ces consignes peut compromettre la sécurité de l'enfant.

- Cette poussette convient à un enfant jusqu'à ce qu'il atteigne un poids de 29,5 kg (65 lb) et une taille de 101,6 cm (40 po).
- Le poids total recommandé pour cette poussette est de 35 kg (77 lb): 29,5 kg (65 lb) dans le siège, 1 kg (2 lb) dans la pochette de dossier du siège, 4,5 kg (10 lb) dans le porte-bagages. Tout poids supérieur à la limite recommandée par le fabricant rendra le landau ou la poussette instable.
- Cette poussette n'est pas conçue pour la course, le jogging, le patin ou le patin à roues alignées.
- Ne jamais laisser un enfant sans surveillance.
- Éviter les blessures graves suite à une chute ou en glissant. Toujours attacher et régler adéquatement la ceinture de sécurité ou le harnais du siège d'auto pour bébé.
- Pour éviter les blessures, retirer le plateau pour enfant ou l'accessoire de barre abdominale pour déployer ou replier la poussette.
- Ne pas permettre à l'enfant de jouer avec ce produit.
- Les colis et les accessoires placés sur la poussette peuvent la rendre instable.
- Le fait d'accrocher une charge à la poignée affecte la stabilité de la poussette. Ne pas suspendre de sacs à la poignée.
- S'assurer que les dispositifs de fixation du landau ou du siège d'auto sont correctement ancrés avant l'emploi.
- Verrouiller les freins avant d'installer et de retirer l'enfant et lorsque la poussette est immobile.
- **Toujours** garder les doigts et les enfants éloignés des pièces mobiles en repliant, dépliant ou réglant la poussette afin d'éviter de coincer ou de pincer les doigts/ parties du corps.
- Cette poussette n'est pas conçue pour transporter les enfants dans des escaliers fixes ou mobiles. La garantie ne couvre pas les dommages à la poussette qui en résulteraient.
- Cette poussette ne remplace pas un couffin ou une couchette. Lorsque l'enfant doit dormir, il doit être installé dans un landau, un couffin ou une couchette adéquats.
- Les accessoires non approuvés ne doivent pas être utilisés.
- S'assurer que les dispositifs de ou du siège d'auto sont correctement ancrés avant l'emploi.
- Pour les nouveaux-nés, toujours utiliser la position la plus inclinée.
- N'utiliser que des pièces détachées fournies ou approuvées par Baby Jogger.
- Cesser d'utiliser votre poussette si elle devient endommagée ou brisée.

CADRE

- 1 Sortir le cadre de la poussette de la boîte et mettre les roulettes de côté.
Déverrouiller la poussette en tirant sur le levier de verrouillage pour le rangement.
- 2 Déplier la poussette en tirant sur la poignée pour l'éloigner du fond du cadre. Soulever la poignée pour l'éloigner du siège. La poussette se verrouillera en place et émettra un déclic.
- 3 Placer la poussette en position verticale.

⚠ MISE EN GARDE : S'assurer que tous les dispositifs de verrouillage sont correctement enclenchés avant utilisation.

ROULETTE AVANT

- 4 Installation
 - Déposer la poussette de manière à ce que la poignée repose sur le plancher.
 - Insérer la roulette avant en la glissant dans la base jusqu'à ce qu'elle s'enclenche en place. Tirer délicatement sur chaque roulette avant pour s'assurer qu'elle est bien fixée.
- 5 Retrait
 - Tout en appuyant sur le bouton de dégagement de la roulette avant, faire glisser doucement la roulette avant hors de sa base.

FONCTION PIVOTANTE

- 6 Appuyer sur le bouton de verrouillage de la roulette pivotante et le faire glisser vers la gauche afin de la verrouiller en position fixe pour parcourir de longues distances.
- 7 Appuyer sur le bouton de verrouillage de la roulette pivotante et le faire glisser vers la droite afin de lui permettre de pivoter.

⚠ MISE EN GARDE : Toujours verrouiller la roulette avant en position fixe lors de l'installation et du retrait de l'enfant. Bien que la roulette avant de la poussette se verrouille, elle n'est pas prévue pour faire du jogging ou de l'exercice.

ROULETTES ARRIÈRE

- 8 Installation
 - Aligner l'essieu arrière avec la base de la roulette sur le cadre de la poussette et l'insérer dans la base de la roulette jusqu'à ce qu'elle se verrouille en place. Un déclic se fera entendre.
 - Tirer délicatement sur la roulette arrière pour s'assurer qu'elle est bien fixée.
- 9 Retrait
 - Tout en appuyant sur le bouton de dégagement de la roulette, faire glisser doucement la roulette arrière hors de sa base.

FREIN

- 10 Pour verrouiller les freins : soulever délicatement le levier de frein en position verticale jusqu'à ce qu'il s'enclenche en place.
- 11 Dégagement des freins : pincer les languettes grises et tirer le levier vers soi. Abaisser le levier de frein jusqu'à ce qu'il soit parallèle avec le cadre.

⚠ MISE EN GARDE : Verrouiller les freins avant d'installer et de retirer l'enfant et lorsque la poussette est immobile.

BALDAQUIN

- 12 Fixer le baldaquin au cadre en glissant le baldaquin sur le support de fixation. Pour retirer, faire glisser le baldaquin hors des supports.

REMARQUE : Le baldaquin doit être en position supérieure pour utiliser un siège d'auto pour enfant Baby Jogger/ Graco ou Britax. Pour tous les autres sièges d'auto pour enfant, le baldaquin doit être enlevé.

- 13 Fixer les deux boutons-pression au cadre de la poussette.
- 14 Attacher l'arrière du siège au sommet du baldaquin à l'aide de la glissière. Attacher les 2 bandes de fixation sur le côté du baldaquin.
- 15 Tirer vers l'avant pour ouvrir le baldaquin et pousser vers l'arrière pour le fermer.
- 16 Pour les utiliser le fenêtrage baldaquin, enrouler le store vers le haut et le fixer avec l'élastique et le bouton.

POIGNÉE

- 17 Pour déployer la poignée dans l'une des 6 positions d'utilisation, appuyer sur les boutons de dégagement de la poignée des deux côtés et tourner vers le haut ou le bas jusqu'à la nouvelle position.

AJUSTEMENT DU HARNAIS DE SÉCURITÉ

- 18 À partir de l'arrière du siège, détacher et ouvrir la pochette afin de localiser le buttoir carré en plastique. Tourner le buttoir et le passer à travers les ouvertures du panneau de polyéthylène et le tissu du siège.
- 19 Réinsérer le buttoir dans l'ouverture du siège la plus près des épaules de l'enfant. Réinsérer à travers le tissu et le panneau de polyéthylène. Tirer sur la sangle pour s'assurer que le buttoir est bien verrouillé. Répéter l'opération des deux côtés.

⚠ MISE EN GARDE : Pour éviter les blessures graves suite à une chute ou en glissant, toujours attacher et régler adéquatement le harnais de sécurité.

⚠ MISE EN GARDE : Toujours utiliser la courroie de fourche conjointement aux courroies de la taille et des épaules.

- 20 Glisser les coussins du harnais suffisamment pour pouvoir accéder au guide en plastique sur la courroie.
- 21 Tenir le guide en plastique et tirer sur la courroie pour la serrer ou la desserrer.

UTILISATION DU HARNAIS DE SÉCURITÉ

- 22 Insérer la boucle de chaque courroie latérale dans la boucle centrale du harnais, de chaque côté.
- 23 Insérer les boucles des deux courroies latérales et de la boucle centrale reliées dans les côtés de la boucle d'entre-jambes.
- 24 Appuyer sur le bouton de la boucle de l'entre-jambes pour la libérer.

INCLINAISON DU SIÈGE

- 25 Comprimer la pince derrière le siège et la faire glisser vers le bas pour obtenir l'inclinaison désirée.
- 26 Abaisser le siège des deux côtés pour correspondre à la position de la pince. Inverser les étapes pour revenir à la position verticale.

⚠ MISE EN GARDE: Lors des réglages du siège de la poussette, s'assurer que la tête de l'enfant, ses bras et ses jambes sont loin des pièces mobiles du siège et du cadre de la poussette.

- 27 Pour une ventilation accrue, relever le rabat du dossier et le fixer avec l'élastique et le bouton.

APPUIE-JAMBES

- 28 Pour utiliser l'appuie-jambes, soulever l'avant du coussin de siège.
- 29 Faire pivoter le bras de soutien et abaisser le coussin de siège. Verrouiller le bras de soutien
- 30 Pour abaisser l'appuie-jambes, inverser les étapes.

PLIAGE

- Retirer l'enfant du siège.
- Déverrouiller les roulettes pivotantes avant.
- Retirer tous les accessoires et tous les articles du porte-bagages.

⚠ MISE EN GARDE: Pour éviter les blessures, retirer le plateau pour enfant ou l'accessoire de barre abdominale pour déployer ou replier la poussette.

- 31 Appuyer sur les boutons situés des deux côtés du cadre.
Tourner la poignée vers le haut.
- 32 **A.** Insérer le doigt dans la boucle et tirer vers le haut, ensuite **B.** Tirer sur la poignée de pliage identifiée par « Pull to Fold » et laisser le cadre se replier.

- 33 S'assurer que le levier de verrouillage automatique s'enclenche en place.
- 34 Placer la poussette debout, en position verticale.

RETRAIT DU PORTE-BAGAGES

- 35 À partir de l'avant de la poussette, détacher les 2 boutons-pression et tirer les courroies hors du reposepieds.
- 36 Détacher le porte-bagages du crochet.
- 37 Depuis l'arrière, soulever le haut du porte-bagages pour le détacher des languettes situées des deux côtés du cadre.
- 38 Détacher la courroie de l'attache en C située des deux côtés du cadre.

RETRAIT DU COUSSIN DE SIÈGE

- 39 Retourner la poussette pour exposer le dessous du siège.
 - A Détacher les 2 bandes autoagrippantes et les tirer hors du cadre de la poussette.
 - B Détacher la bande autoagrippante et la tirer hors des côtés du cadre de la poussette.
 - C Dévisser le mousqueton et tirer la courroie hors du coussin de siège.
- 40 Retourner le siège pour le remettre sur ses roulettes. Tirer le tissu du siège vers le haut pour le détacher des boutons.
- 41 En commençant par le bas, faire glisser le coussin du siège pour le détacher du cadre de la poussette, des deux côtés.
- 42 Depuis le haut, faire glisser le coussin du siège pour le détacher du cadre, des deux côtés
- 43 Retirer le coussin de siège

Inverser la démarche pour remettre le coussin de siège en place sur le cadre.








SOIN ET ENTRETIEN

Afin de préserver la longévité de la poussette, il est important d'exécuter régulièrement des tâches d'entretien simples. De temps en temps, s'assurer que les joints et les pentures sont toujours en bon état. Si des grincements se font entendre ou en présence de résistance, la poussette peut être amenée chez un revendeur autorisé pour la faire lubrifier. Toutes les réparations doivent être faites uniquement par un concessionnaire agréé.

NE PAS utiliser de désinfectants à base d'alcool pour nettoyer ce produit.

NETTOYAGE

Tissu :

- Consulter les directives de lavage sur l'étiquette d'entretien :
 -  • Nettoyer en essuyant avec un linge humide.
 -  • Laver à la main à l'eau froide avec un détergent doux.
 -  • Laver à la machine séparément à l'eau froide au cycle délicat.
 -  • N'utiliser aucun agent de blanchiment.
 -  • Ne pas mettre dans la sècheuse.
 -  • Ne pas repasser.
 -  • Ne pas nettoyer à sec.
- Le tissu doit être fixé au cadre pour sécher.
- S'assurer d'enlever le cadre de métal et les panneaux de polyéthylène avant le lavage.
- Ne pas utiliser de solvant ni de produit caustique ou abrasif pour nettoyer.

Pièces de plastique et de métal

- Essuyer avec un savon doux et de l'eau chaude.
- Il faut ensuite assécher complètement les roulettes avec une serviette ou un linge doux.

- **NE PAS** enlever, démonter ni modifier les composants du mécanisme de pliage du siège ou des freins.

Entretien du similicuir

- Essuyer avec un savon doux et de l'eau chaude.

RANGEMENT

- Le soleil peut faire pâlir le tissu du siège et faire sécher les pneus. Aussi, ranger la poussette à l'intérieur prolongera sa beauté.
- **NE PAS** ranger à l'extérieur.
- S'assurer que la poussette est sèche avant de la ranger pour des périodes prolongées.
- Toujours entreposer la poussette dans un endroit sec.
- Ranger la poussette dans un endroit sûr lorsqu'elle n'est utilisée (c'est à dire hors de portée des enfants).
- **NE PAS** placer d'objets lourds sur le dessus de la poussette.
- **NE PAS** ranger la poussette près d'une source directe de chaleur comme un radiateur ou un foyer.

Garantie à vie limitée de Baby Jogger

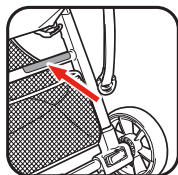
Baby Jogger garantit que le cadre est sans défaut de fabrication pour toute la durée de vie du produit. Les défauts de fabrication comprennent, sans s'y limiter, le bris des soudures et les dommages au tube du cadre. Tous les matériaux souples (textile) et toutes les autres pièces sont garantis pour un an à partir de la date d'achat (à l'exception des pneus et des chambres à air). Une preuve d'achat originale est requise pour faire une réclamation et la garantie est accordée à l'acheteur original seulement.

LA GARANTIE NE COUVRE PAS :

- Usure normale
- Corrosion ou rouille
- Erreurs de montage ou installation de pièces non autorisées ou d'accessoires non compatibles avec le modèle original
- Dommages accidentels ou intentionnels, usage abusif, négligence ou utilisation dans les escaliers fixes ou mobiles.
- Usage commercial
- Rangement/soin inadéquat de la poussette

Cette garantie exclut expressément toutes réclamations pour dommages indirects, accessoires ou consécutifs. Toute garantie implicite de valeur marchande et d'aptitude à un usage particulier se rapporte à la période de garantie précise à ce modèle lors de l'achat. Étant donné que certaines provinces et certains territoires interdisent l'exclusion ou la limitation des dommages-intérêts accessoires ou indirects, les limitations ou exclusions mentionnées cidessus ne s'appliquent peut-être pas à votre cas. Cette garantie vous confère des droits juridiques précis et vous pouvez aussi avoir d'autres droits qui varient d'une province et d'un territoire à l'autre. Pour connaître les droits conférés par la loi dans votre province ou territoire, consulter l'agence locale de protection des consommateurs.

Si la poussette a été achetée à l'extérieur du Canada, veuillez communiquer avec le distributeur local le plus près de chez vous. Ses coordonnées se trouvent dans le site Web : <http://www.babyjogger.ca>. Les réclamations en vertu de la garantie effectuées de l'extérieur du pays où le produit a été acheté peuvent donner lieu à des frais d'expédition



REMARQUE : Lorsque vous communiquez avec le distributeur Baby Jogger au sujet de la poussette, veuillez avoir sous la main le numéro de série de la poussette. Il se trouve sur la traverse au-dessus du porte-bagages.

Renseignements Canadien sur le service à la clientèle :

Composer le : 1-800-241-1848

Courrier : Baby Jogger, LLC
4110 Premier Drive
High Point, NC 27265

www.babyjogger.com / www.babyjogger.ca

VEUILLEZ NE PAS COMMUNIQUER AVEC LE DÉTAILLANT POUR OBTENIR DES PIÈCES OU DU SERVICE EN VERTU DE LA GARANTIE

NOTES/NOTAS:

Product Registration Enregistrement du produit Registro del producto

To register your Baby Jogger product from within the U.S.A. visit us online at www.babyjogger.com or return registration card provided with your product. In Canada, visit www.babyjogger.com to register your product.

Pour inscrire votre produit Baby Jogger aux États-Unis, visiter notre site internet www.babyjogger.com ou retourner la carte d'enregistrement fournie avec le produit. Au Canada, visiter www.babyjogger.com pour enregistrer votre produit.

Para registrar su producto Baby Jogger desde dentro de los EE.UU., visítenos en línea en www.babyjogger.com o envíe la tarjeta de registro provista con su producto. En Canadá, visite www.babyjogger.com para registrar su producto.



Baby Jogger, LLC
6655 Peachtree Dunwoody Rd. NE • Atlanta, GA 30328
1.800.241.1848 • www.babyjogger.com