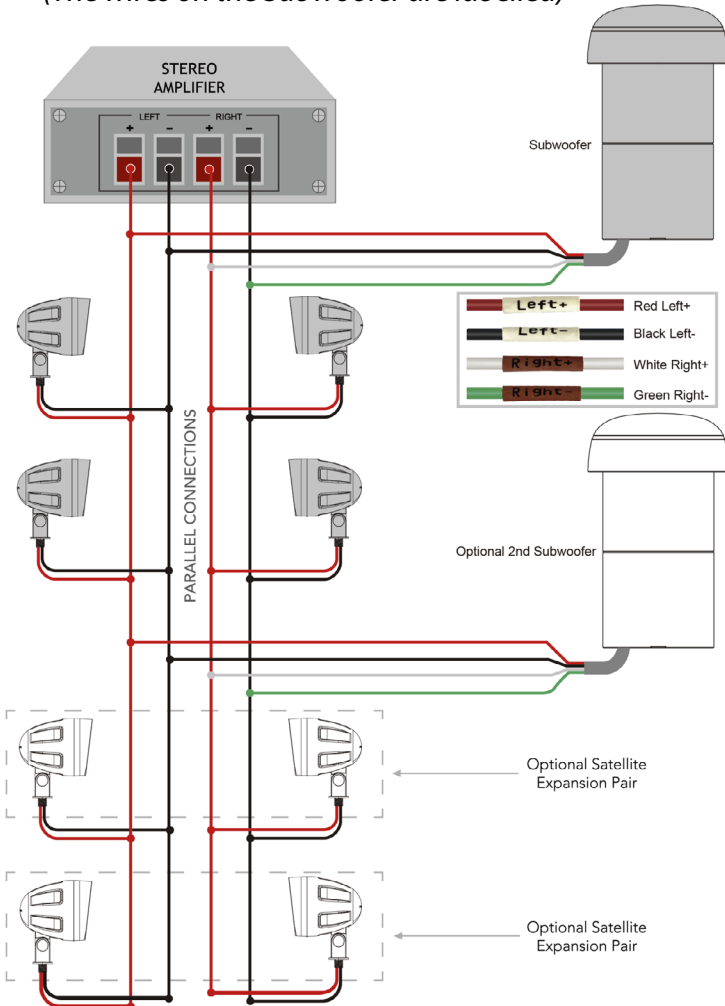


Aurora® Landscape Speaker Systems



Subwoofer Wiring Example
(The wires on the Subwoofer are labelled)



Terrace Series Specifications

Subwoofer

Driver	8" (203 mm) Dual Voice Coil (DVC) Long Throw
Cone	Polypropylene (PP) Waterproof with Rubber Surround
Magnet Structure	37 oz
Power Handling	150W RMS @ 8Ω
Frequency Response	45 – 150Hz ± 3 dB
SPL	89 dB @ 1w / 1m
Material	High-density polyethylene-Acrylonitrile Styrene Acrylate (HDPE-ASA)
Dimensions	(D x H) 14" x 24" (355.6 x 609.6 mm)
Weight	20 lbs (9.07 kg)

Satellite Speaker

Cone	3" (76.2 mm) Polypropylene (PP) Waterproof with Rubber Surround
Tweeter	0.50" (12.7 mm) Marine Grade PEI Tweeter
Power Handling	5-100 Watts RMS @ 8Ω
Frequency Response	100Hz – 20kHz ± 3 dB
SPL	86 dB @ 1w / 1m
Material	Acrylonitrile Styrene Acrylate (ASA)
Connector	½" NPT
Dimensions	(D x L x H without stake) 5" x 6.4" x 8" (127 x 162.6 x 203.2 mm)
Weight	2 lbs (0.998 kg)

Veranda Series Specifications

Subwoofer

Driver	10" (254 mm) Dual Voice Coil (DVC) Long Throw
Cone	Polypropylene (PP) Waterproof with Rubber Surround
Magnet Structure	80 oz (2 x 40)
Power Handling	200W RMS @ 8Ω
Frequency Response	35 – 150Hz ± 3 dB
SPL	90 dB @ 1w / 1m
Material	High-density polyethylene-Acrylonitrile Styrene Acrylate (HDPE-ASA)
Dimensions	(D x H) 16" x 26.8" (405 x 680 mm)
Weight	31 lbs (14.06 kg)

Satellite Speaker

Cone	4" (101.6 mm) Polypropylene (PP) Waterproof with Rubber Surround
Tweeter	0.75" (19.05 mm) Marine Grade PEI Tweeter
Power Handling	5-150 Watts RMS @ 8Ω
Frequency Response	80Hz – 20kHz ± 3 dB
SPL	87 dB @ 1w / 1m
Material	Acrylonitrile Styrene Acrylate (ASA)
Connector	½" NPT
Dimensions	(D x L x H without stake) 6" x 7.5" x 8.9" (152.4 x 190.5 x 226.6 mm)
Weight	2.7 lbs (1.22 kg)